



**HITORK**  
A  HANKUN Brand



# Electric Actuator

HANKUN QUALITY | DRIVING THE FUTURE

SUPER RELIABLE WITH HIGH QUALITY



Tel: +86-(0)10-63260308  
Fax: +86-(0)10-63265498  
Email: info@hankunchina.com



[www.hankunfluid.com](http://www.hankunfluid.com)

Hankun (Beijing) Fluid Control Technology Co., Ltd.



## Company Introduction

## Qualifications



### Mission

Achieve our success through serving customer



### Vision

Become a respected international expert in fluid control



### Values

Upright, Team work, Excellence



### Positioning

Making fluid control more reliable and simpler under harsh working conditions of special medium

## Hankun 2007

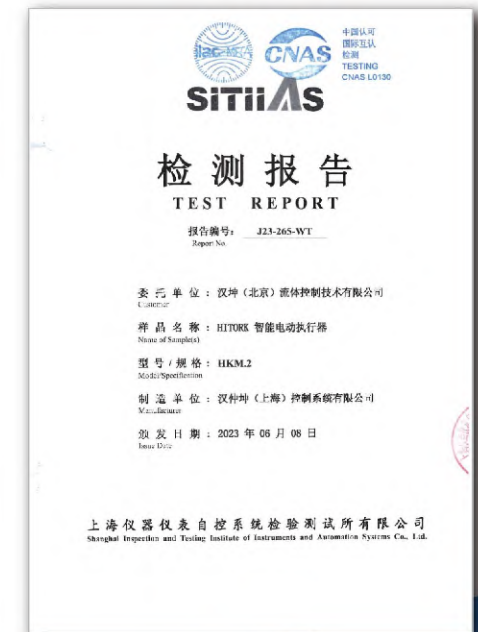
Hankun was founded in 2007 with a vision to become a "respected international expert in fluid control". Hankun independently develops and produces IoT hose pumps, unattended dosing devices, IoT electric actuators, pneumatic actuators, valves. Hankun is the world-leading supplier in fluid control products and services.

Hankun is headquartered in Beijing with the factory in Shanghai and branch offices in Xi'an, Chengdu, Changsha, Guangzhou and other cities. Furthermore, Hankun has authorized distributors in Canada, Singapore, Indonesia, Thailand, Russia, Uzbekistan, Pakistan, India and other countries and regions, ensuring a robust and efficient sales network and service system.

With the mission of "Making fluid control more reliable and simpler under harsh working conditions of special media", Hankun has long been dedicated to providing professional fluid control solutions for industries such as power plant, petrochemicals, water treatment and other process industries. Through the necessary technical exchanges, Hankun recommends safe, cost-effective, environmentally friendly solution and design based on the actual site conditions, effectively addressing issues such as leaks and blockages.

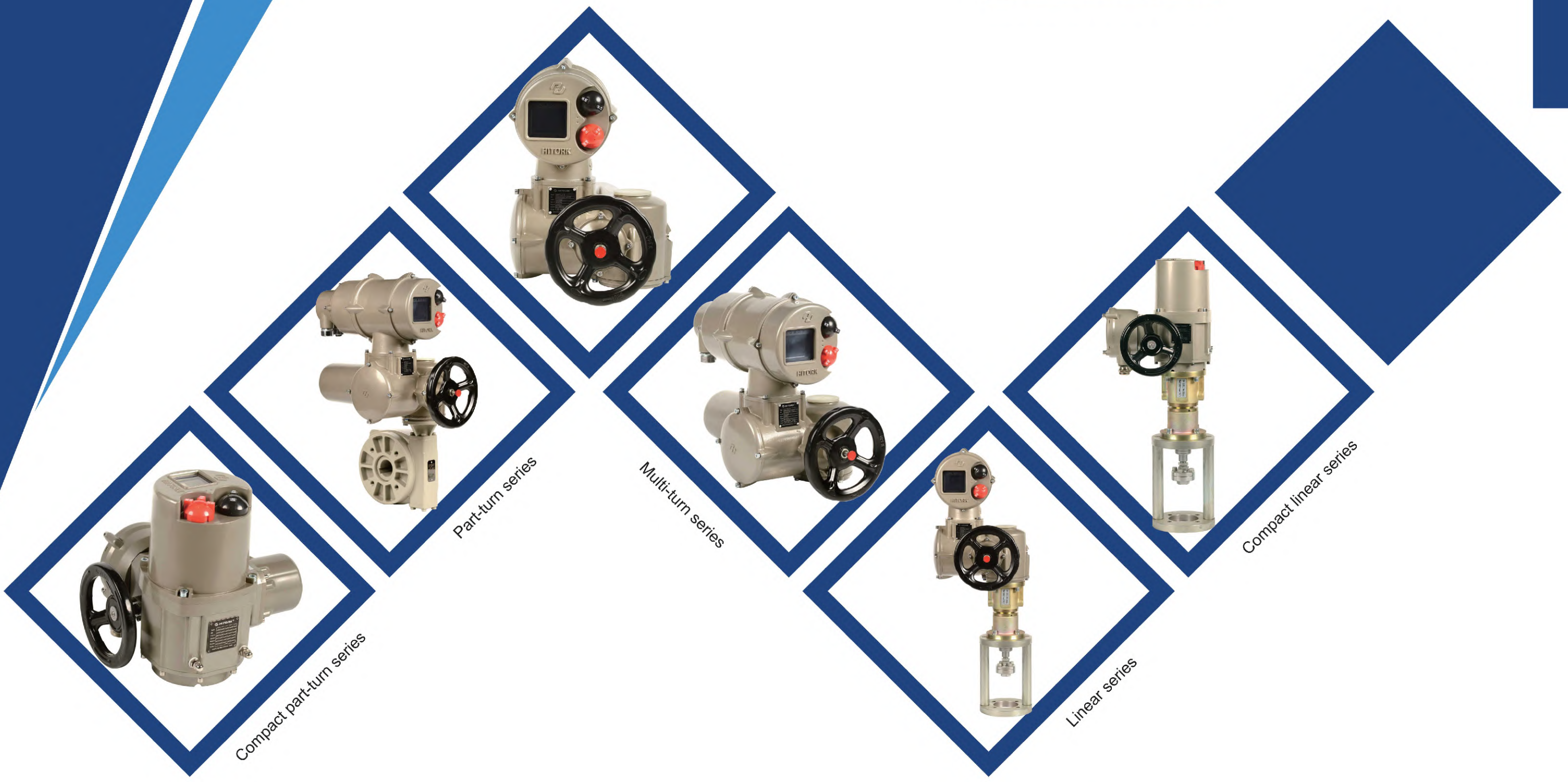
Reputation is paramount for Hankun. We strictly adhere to contractual obligations by providing timely delivery, installation guidance, and commissioning to ensure compliance and smooth handover for customer use. Throughout the entire life cycle, we provide whole process and considerate service.

Choose Hankun, Choose reliable, easy and satisfied.





 **Product Series**





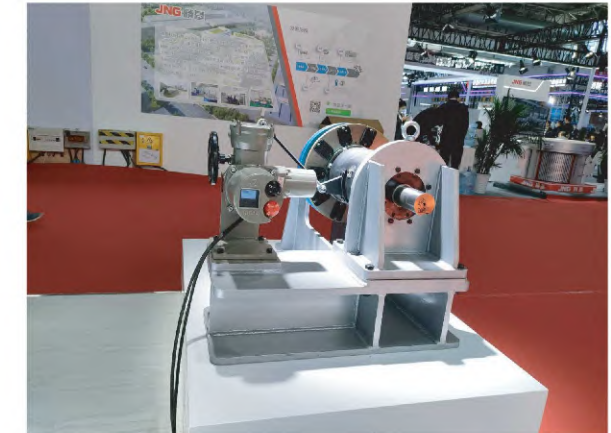
## Core Advantage

- >Support IoT communication, remote expert diagnosis system, cloud platform & big data analysis.
- >Real smart, torque adjustment without opening the cover. Self-adaptive, high positioning accuracy, effectively avoid oscillation.
- >Strong anti-interference ability, EMC class 3, high immunity from spurious signals.
- >Adaptive for several bus protocols such as: PROFIBUS, MODBUS, FF, Device Net, Hart, etc.
- >Valve position monitoring during power loss through the robust absolute encoder developed independently by our own.
- >HD color screen display indicates valve position in normal mode, with asset management functions such as life prediction, maintenance record, etc.
- >Adaptive for infrared and Bluetooth communication, in addition to remote control, provide mobile phone bluetooth APP local operation function.
- >Aviation plug, which is easy to implement the split actuator and make the actuator suitable for high temperature, high vibration and other special conditions, the split distance is up to 150 meters.

### HITORK2.0 IoT Electric Actuator Advantage and Comparison with other brand

Performance/Parts	Hitork2.0	Outstanding advantages	Other main brands		
			UK	DE	Others brand in CHN
Position sensor	Self-developed magneto-electric Absolute encoder	No loss of valve position, no need of battery; digital signal transmission; more reliable and durable, high precision.	2nd generation product with hall counter; 3rd generation products with absolute encoder.	Mechanical products with mechanical limit switches; Intelligent products with linear optocouplers.	Hall counter
Self-adaptive,smart brake	self-adaptive, smart brake	Run at most 3 times after installation, it can be adjusted automatically according to the actual load and stroke, smart braking, no oscillation.	Brake in advance.	Brake in advance.	Modulating type easy to oscillate.
Torque sensor	Absolute encoder	Digital communication;convenient installation and calibration; more reliable.	Pressure sensitive sensor.	Mechanical products with mechanical torque switch; Intelligent products with potentiometers.	Pressure sensitive sensor.
Adjustable torque range	40%~120%	Large linear adjustable range and high accuracy of torque.	40%~100%	40%~100%	40%~100%
Split type	Yes	Available for separate installation of electric control and mechanical parts within 150m, adaptive to special working conditions.	No	Yes	Some yes
Asset Management	Yes	Record operation process parameters, such as temperature, position, vibration,abnormal torque data, maintenance situation and early warning, etc.	3rd generation product yes	No	No
Communication interface	Fieldbus, Bluetooth, GPRS	Rich communication interface. support Bluetooth control of local mobile app; support internet of things access, remote control.	Field bus	Field bus	Field bus
IoT support	Self-built IoT cloud platform	Industry leading, provide life-cycle tracking management, expert system, smart diagnosis, predictive maintenance reminder, web and mobile app alarm, remote support.	No	No	No

## Applications





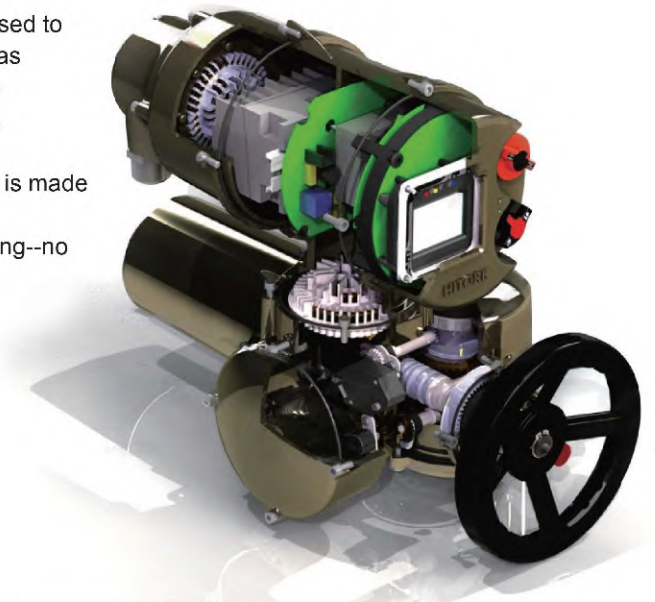
## Multi-Turn Series



**Multi-Turn Series**

HITORK2.0 IoT HKM.2 multi-turn electric actuator can be used to control a variety of valves and other similar products, such as gate valves, globe valves, regulating valves, etc., which are widely used in power plant, petrochemical, water treatment, shipping, papermaking and other industries.

- >Light weight, small volume and high strength.The housing is made of special aluminum alloy.
- >Absolute encoder for travel and torque, Non-intrusive setting--no cover removal required.
- >Connect in accordance with ISO5210 standard.
- >IP67(IP68 Option)
- >Adaptive for bus, Bluetooth, Internet of things
- >Plug-in type dual panel structure, double sealing, convenient wiring maintenance.



### Technical Data

Model	On-off		Modulating		Speed @50HZ rpm	Shaft diameter mm	Rated power W	Rated current (A) @3PH AC380V 50Hz	Mounting Flange ISO5210	Weight Kg
	Rated Torque N.m	Rated Torque N.m	Modulating Torque N.m	Modulating Torque N.m						
HKM03.2	30	30	15	15	32	Φ28	370	1.03	F10	27
	30	30	15	15	64	Φ28	370	1.58	F10	27
	18	18	9	9	128	Φ28	370	2.18	F10	27
HKM05.2	50	50	25	25	32	Φ28	370	1.22	F10	27
	50	50	25	25	64	Φ28	370	1.72	F10	27
HKM10.2	100	100	50	50	32	Φ28	750	2.18	F10	29
	100	100	50	50	64	Φ28	750	2.97	F10	29
	60	60	30	30	128	Φ28	750	3.66	F10	29
HKM20.2	200	200	100	100	32	Φ28	1100	3.32	F10	31
	200	200	100	100	64	Φ28	1100	4.85	F10	31
HKM30.2	300	300	150	150	32	Φ36	1800	4.46	F14	41
	300	300	150	150	64	Φ36	1800	6.79	F14	41
	180	180	90	90	128	Φ36	1800	7.96	F14	41
HKM45.2	450	450	225	225	32	Φ36	2200	6.48	F14	43
	450	450	225	225	64	Φ36	2200	10.65	F14	43
	270	270	135	135	128	Φ36	2200	14.92	F14	43
HKM60.2	600				32	Φ36	2800	10.9	F14	45
	600				64	Φ36	2800	16.45	F14	45
HKM80.2	800	800	400	400	32	Φ44	4000	12.38	F16	86
	800	800	400	400	64	Φ44	4000	23.46	F16	86
	480	480	240	240	128	Φ44	4000	32.77	F16	86
HKM100.2	1000	1000	500	500	32	Φ60	5000	30.1	F16	88
	1000	1000	500	500	64	Φ60	5000	38.9	F16	88
HKM120.2	600	600	300	300	128	Φ60	5000	44.6	F16	88
	1200				32	Φ60	6000	38.33	F25	92
	1200				64	Φ60	6000	51.62	F25	92

Other parameters to be set according to the real working conditions



## Part-Turn Series



**Part-Turn Series**

Part-turn electric actuator, with an output of usually 90° and no more than 360° stroke, is widely used for valve drive of part-turn stroke such as ball valves, butterfly valves and dampers. When the valve torque is small or the space is limited, the light weight part-turn electric actuator can be selected; When the valve torque is large, the type of multi-turn electric actuator worm gear reducer can be selected.

### Technical Data

Model	On-off	Modulating	90°stroke time@50Hz [s]	Model	On-off	Modulating	90°stroke time@50Hz [s]
	Rated Torque N.m	Torque N.m			Rated Torque N.m	Torque N.m	
HKM03.2/QW3	360	180	20	HKM45.2/QS200R	11200	5600	39
	360	180	10	HKM45.2/QS200R	11200	5600	20
	216	108	5	HKM45.2/QS200R	6750	3375	10
HKM05.2/QW3	600	300	20	HKM60.2/QW8	12600		33
	600	300	10	HKM60.2/QW8	12600		17
	360	180	5	HKM60.2/QW8	7500		8
HKM05.2/QS80	800	400	24	HKM80.2/QW8	16800	8400	33
	800	400	12	HKM80.2/QW8	16800	8400	17
	480	240	16	HKM80.2/QW8	10000	5000	8
HKM10.2/QW4	1200	600	20	HKM80.2/QS200	13200	6600	26
	1200	600	10	HKM80.2/QS200	13200	6600	13
	720	360	5	HKM80.2/QS200	7920	3960	7
HKM10.2/QW5	2100	1050	33	HKM80.2/QS250R	19920	9960	39
	2100	1050	17	HKM80.2/QS250R	19920	9960	20
	1260	630	8	HKM80.2/QS250R	11950	6000	10
HKM20.2/QS125	3600	1800	28	HKM100.2/QW9	19500	9750	30
	3600	1800	14	HKM100.2/QW9	19500	9750	15
	2000	1000	7	HKM100.2/QW9	11700	5850	8
HKM20.2/QW6	4200	2100	33	HKM100.2/QS250R	24900	12450	39
	4200	2100	17	HKM100.2/QS250R	24900	12450	20
	2520	1260	8	HKM100.2/QS250R	14940	7470	10
HKM30.2/QS125	5400	2700	28	HKM120.2/QS200	19800		26
	5400	2700	14	HKM120.2/QS200	19800		13
	3240	1620	7	HKM120.2/QS200	11880		7
HKM30.2/QW6	6000	3000	33	HKM120.2/QS250R	31125		39
	6000	3000	17	HKM120.2/QS250R	31125		20
	3780	1800	8	HKM120.2/QS250R	18670		10
HKM45.2/QS160	8100	4050	28	HKM120.2/QW10R	46000		60
	8100	4050	14	HKM120.2/QW10R	46000		30
	4860	2430	7	HKM120.2/QW10R	27600		15

Other parameters to be set according to the real working conditions



## Linear Series



HITORK2.0 linear electric actuator based on multi-turn electric actuator, equipped with linear unit to implement linear travel output, it has all the characteristics of multi-turn electric actuator, small volume, large thrust, high reliability, and is mostly used for regulating valve. The HALF structure of actuator output connection part is flexible and adaptable.

### Technical Data

Model	Rated Thrust kN	Modulating Thrust kN	Speed mm/S	Max.stroke mm	Diameter of screw/Lead(mm)	Mounting Flange ISO5210
HKML03.2	13	6.5	1.5	115	25/3	F10
	13	6.5	3	115	25/3	F10
	7.8	3.3	6	115	25/3	F10
HKML05.2	22.2	11.1	1.5	115	25/3	F10
	22.2	11.1	3	115	25/3	F10
	13.2	5.6	6	115	25/3	F10
HKML10.2	44.4	22.2	1.5	115	25/3	F10
	44.4	22.2	3	115	25/3	F10
	26.4	11.2	6	115	25/3	F10
HKML20.2	52.8	26.4	3.5	115	38/7	F10
	52.8	26.4	7	115	38/7	F10
HKML30.2	80	40	3.5	115	38/7	F14
	80	40	7	115	38/7	F14
	48	24	14	115	38/7	F14
HKML45.2	118	54	3.5	115	38/7	F14
	118	54	7	115	38/7	F14
	70	35	14	115	38/7	F14

Other parameters to be set according to the real working conditions



Linear Series



## Compact Part-Turn Series



The second-generation compact part-turn electric actuator is a patent-protected electric actuator with integrated rotary output. The double-display design of the valve position in the same window makes the debugging work more convenient. The actuator is smaller in size and lighter in weight. It can be directly connected to the valve, and can also be connected with a crank arm or a connecting rod to meet the needs of various working conditions. Mostly connected with ball valves and butterfly valves.

### Technical Data

Model	On-off	Modulating		90°stroke time@50Hz [s]	Shaft diameter mm	Rated power W	Rated current (A) @3PH	Mounting Flange ISO5210	Weight Kg
	Rated Torque N.m	Rated Torque N.m	Modulating Torque N.m						
HKP05.2	50	50	25	15	19	45	0.16	F05	9
HKP10.2	100	100	50	15	19	60	0.18	F05	9.1
HKP15.2	150	150	75	15	19	75	0.22	F05/F07	9.2
HKP20.2	200	200	100	30	28	90	0.26	F07	13.2
HKP30.2	300	300	150	30	28	120	0.32	F07	13.3
HKP40.2	400	400	200	30	28	150	0.37	F07/F10	13.6
HKP60.2	600	600	300	30	38	180	0.72	F10	21.6
HKP80.2	800	800	400	30	38	200	0.81	F10/F12	21.8
HKP120.2	1200	1200	600	30	38	250	1	F10/F12	22.1
HKP150.2	1500	1500	750	30	38	370	1.6	F14	24.1
HKP200.2	2000	2000	1000	30	38	370	1.6	F14	24.1
HKP300.2	3000	3000	1500	60	55	370	1.6	F16	36.1
HKP400.2	4000	4000	2000	60	55	550	2.5	F16	36.5
HKP500.2	5000	5000	2500	60	55	550	2.5	F16	36.5

Other parameters to be set according to the real working conditions



**Compact Part-Turn Series**



## Compact Linear Series



The second-generation compact linear electric actuator is an electric actuator with integrated linear output. It is smaller in size and lighter in weight, and is mostly used for regulating valves. The HALF structure connection part is flexible and adaptable.



### Technical Data

Model	Thrust N	Speed mm/S	Max. stroke mm	Rated power W	Rated current (A) @3PH AC380V 50Hz	Weight Kg
HKL30.2	3000	0.16	25	75	0.22	17.5
HKL50.2	5000	0.16	40	75	0.22	17.5
HKL80.2	8000	0.16	60	90	0.26	21.5
HKL100.2	10000	0.16	60	90	0.26	21.5
HKL130.2	13000	0.16	100	120	0.32	23
HKL150.2	15000	0.16	100	120	0.32	23

Other parameters to be set according to the real working conditions

### IoT Communication, Bus Type

HITORK 2.0 H series actuator provide IoT communication, single actuator can be connected to the Internet (GPRS/4G/5G) through IoT, making the actuator networking more flexible. Users can know well the operating data of the actuator in real time, conduct online management, and push fault alarms timely, which highly improve the efficiency of operation and maintenance.

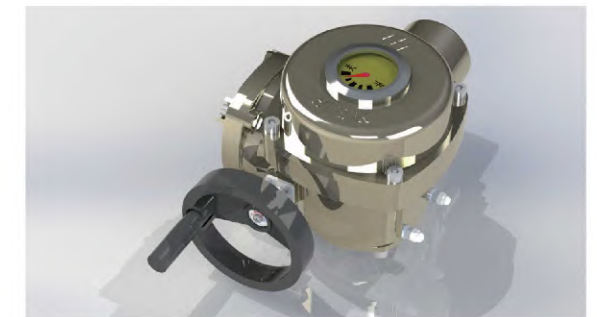
Self-built IoT platform can realize product life tracking management, expert system, intelligent diagnosis, predictive maintenance reminder, WeChat applet real-time monitoring, active alarm push, remote support, etc.

H series and A series actuators also support bus protocols such as PROFIBUS, MODBUS, FF, DeviceNet, and HART etc.



### C Type

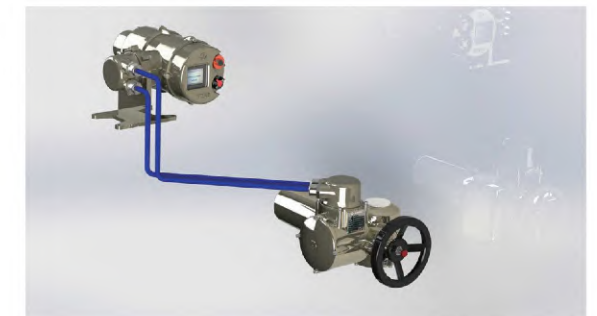
The C type actuator is an ordinary on-off type, it adopts traditional external electrical control. The actuator has a compact structure and small size, and it is indicated by a mechanical pointer. It is not necessary to change the electrical circuit to replace the traditional mechanical electric actuator.



### Split Type

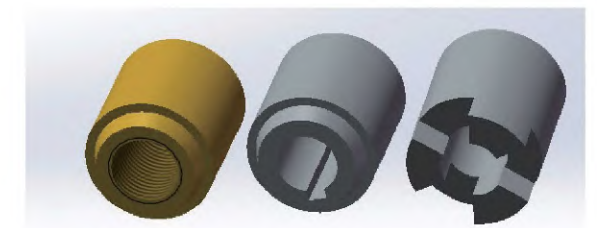
Split type actuators are suitable for high temperature, vibration and occasions where installation space is limited or inconvenient to operate.

Modbus communication is used between the electronic control part and the mechanical part, and the distance can be up to 150 meters.



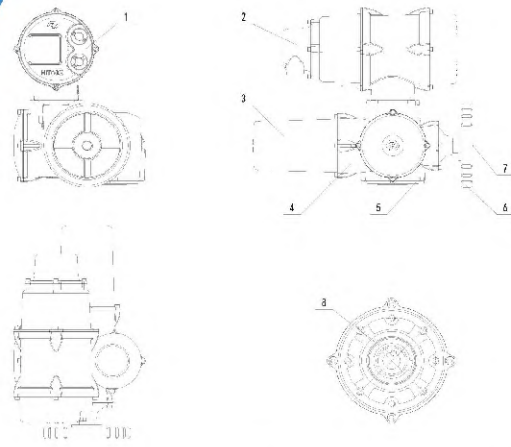
### Mounting Connection

The mounting connection of the actuator conforms to the ISO5210 standard. In addition to the standard hollow shaft with keyway, we can also provide three-jaw shaft sleeve and a shaft sleeve with T-thread that can withstand thrust. The size of the mounting connection and the type of the shaft sleeve can also be customized according to the needs of users.





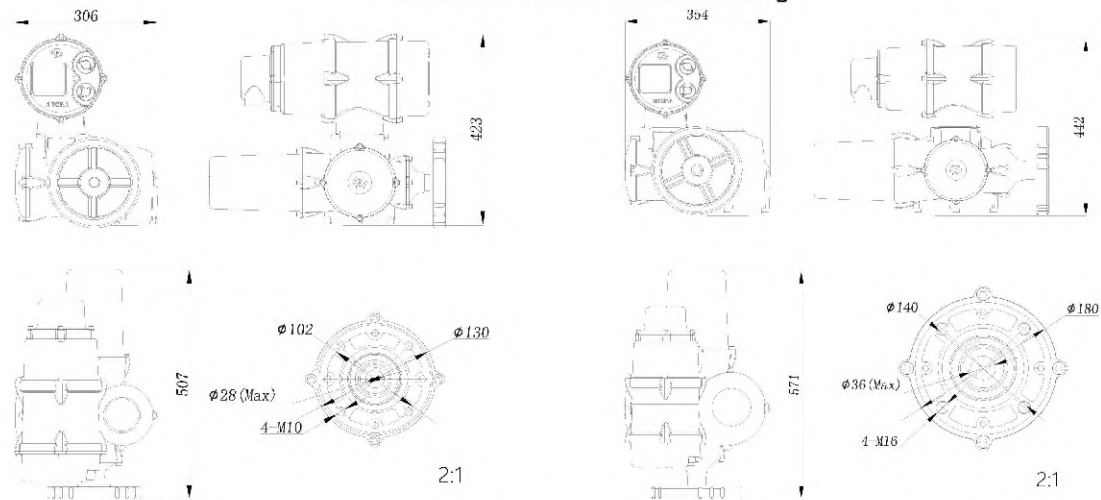
## Dimension Chart



Multi-turn series

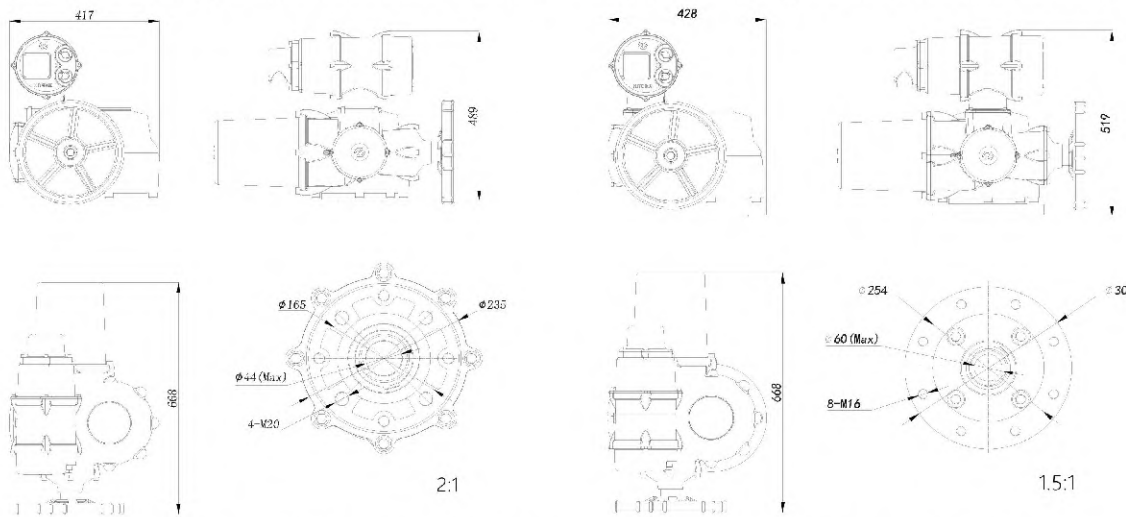
1	Control panel
2	Terminal compartment
3	Motor
4	Housing
5	Base
6	Handwheel
7	Clutch switch lever
8	Output shaft

HITORK2.0 HKM.2 Outline Drawing



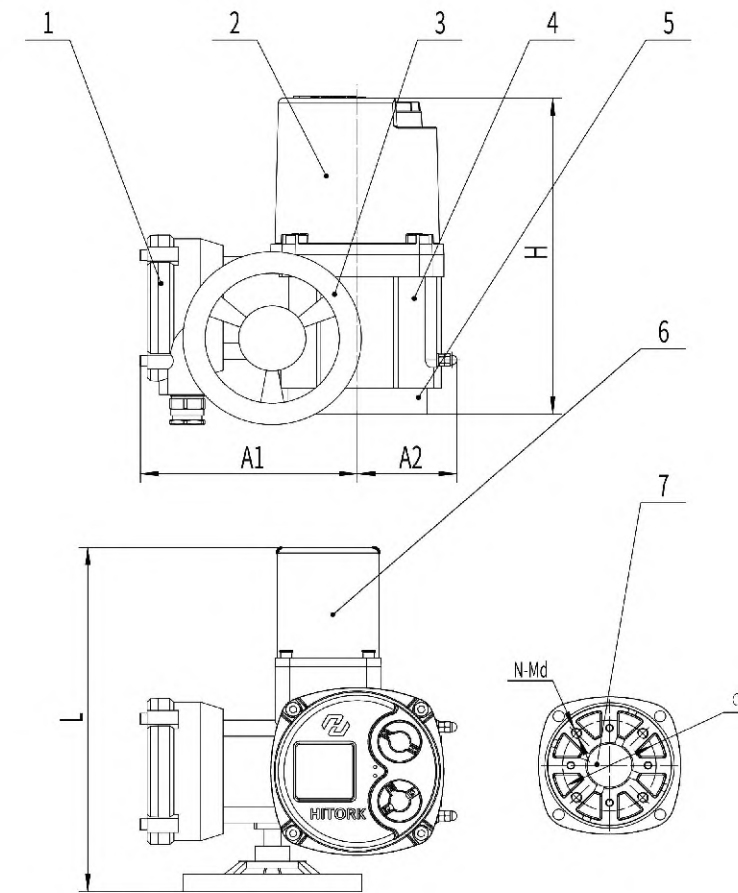
HKM03.2~HKM20.2 Appearance and connection dimensions

HKM30.2~HKM60.2 Appearance and connection dimensions



HKM80.2~HKM100.2 Appearance and connection dimensions

HKM120.2 Appearance and connection dimensions



Part-turn series

1	Terminal cover
2	Control box
3	Handwheel
4	Housing
5	Base
6	Motor
7	Drive shaft sleeve

Dimensions

Model	A1	A2	D	N-Md	H	L
HKP05.2	114	68	50	4-M6	290	250
HKP10.2	114	68	50	4-M6	290	250
HKP15.2	114	68	70	4-M8	290	250
HKP20.2	157	91	70	4-M8	293	332
HKP30.2	157	91	102	4-M10	293	332
HKP40.2	157	91	102	4-M10	293	332
HKP60.2	203	143	102	4-M10	329	424
HKP80.2	203	143	125	4-M12	329	424
HKP120.2	203	143	125	4-M12	329	424
HKP150.2	203	143	140	4-M16	329	424
HKP200.2	203	143	140	4-M16	329	424
HKP300.2	203	143	159	4-M16	393	424
HKP400.2	203	143	165	4-M20	393	424
HKP500.2	203	143	165	4-M20	393	424