

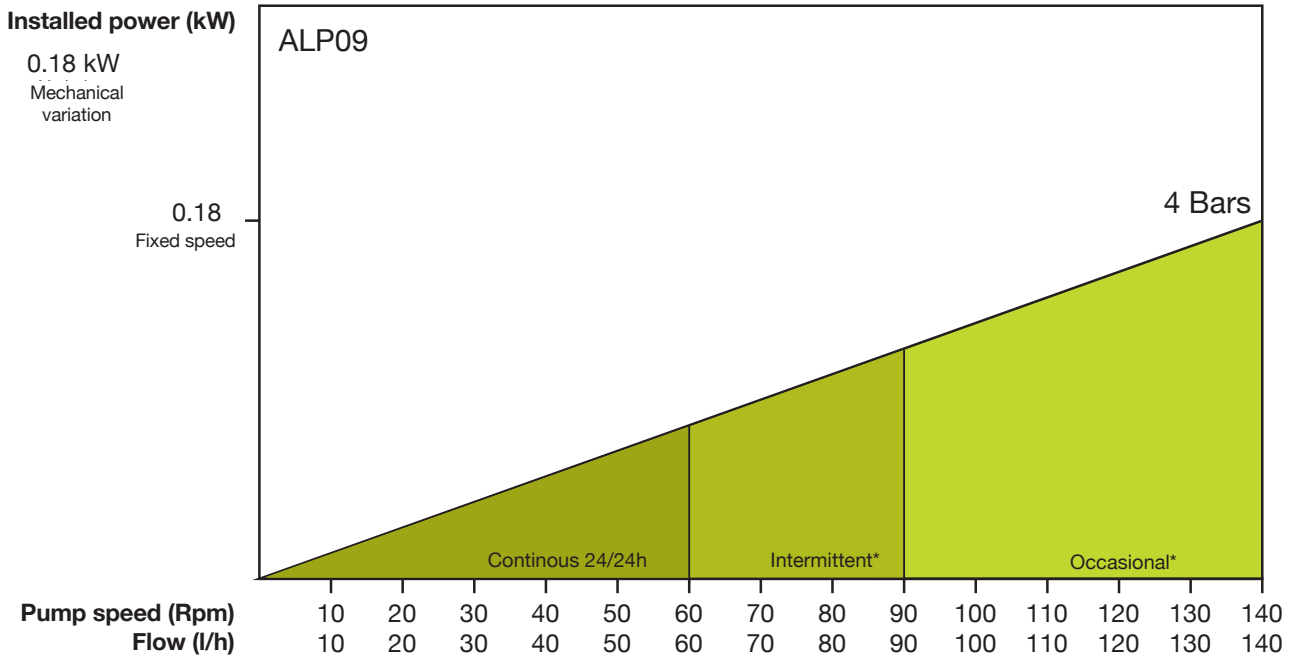
The background features several thick, curved, olive-green lines that sweep across the page from the left side towards the bottom right, creating a sense of motion and flow.

ALBIN PUMP ALP
PERISTALTIC PUMP
TECHNICAL DATASHEETS

ALP 09 - DATA SHEET

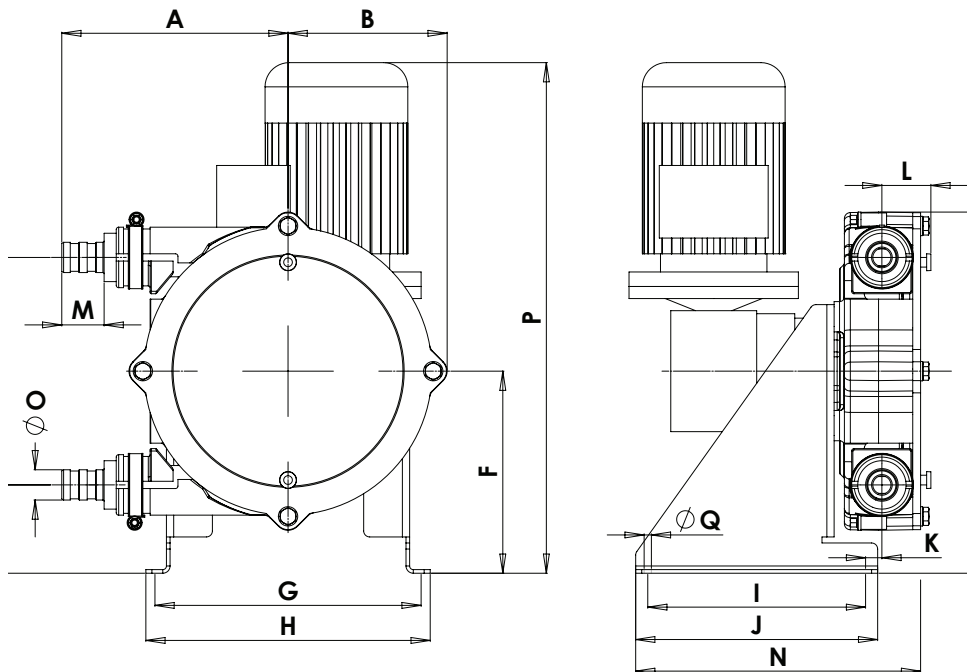
ALP

albin pump
since 1928

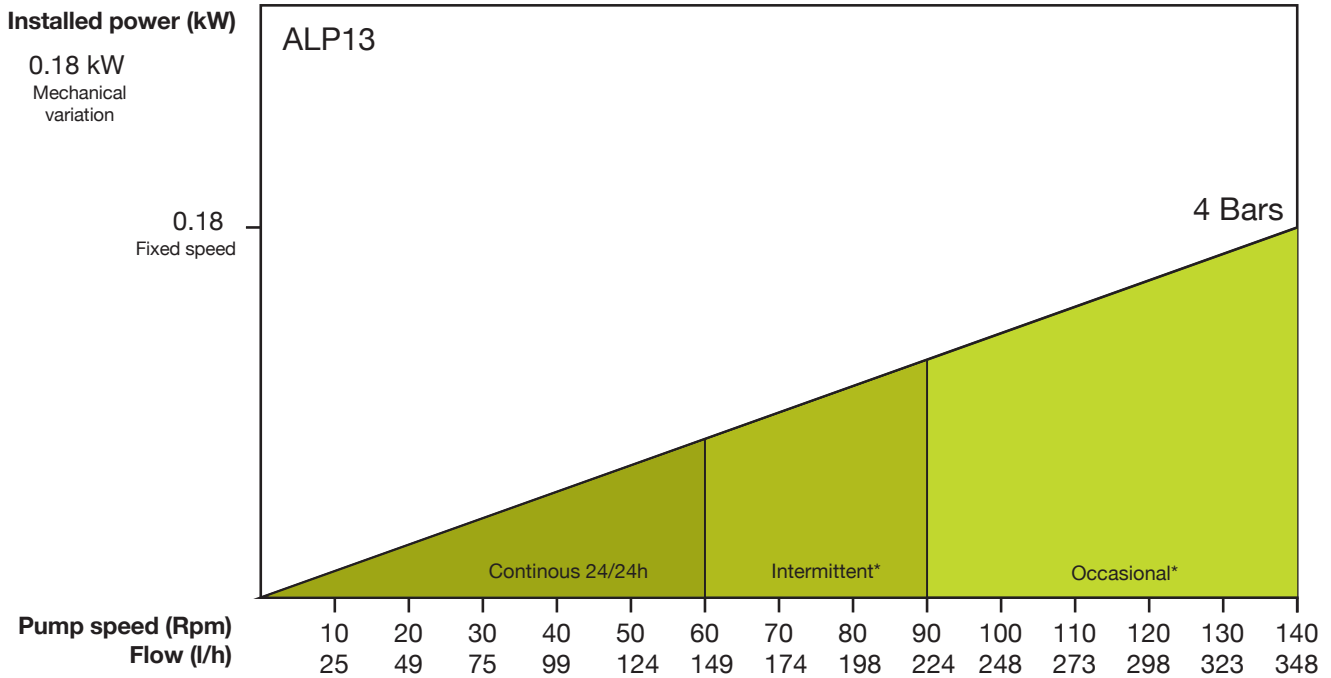


*Intermittent use : minimum one hour stop after 2 hours run / *Occasional use : maximum one hour a day

DIMENSIONS

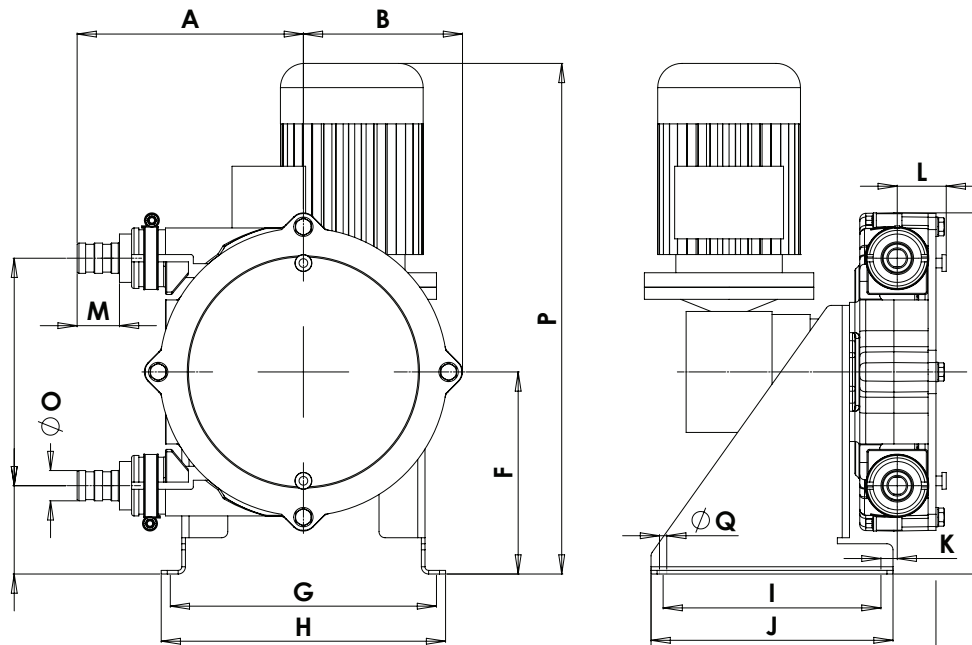


SIZE	A	B	C	D	E	F	G	H	I	J	K	L	M	N	O	P	ØQ
ALP 09F	114	75	104	58	185	110	145	160	156	170	3,5	25	20	187,5	16	335	6
ALP 09VM	114	75	104	58	185	110	145	160	156	170	3,5	25	20	187,5	16	485	6



*Intermittent use : minimum one hour stop after 2 hours run / *Occasional use : maximum one hour a day

DIMENSIONS

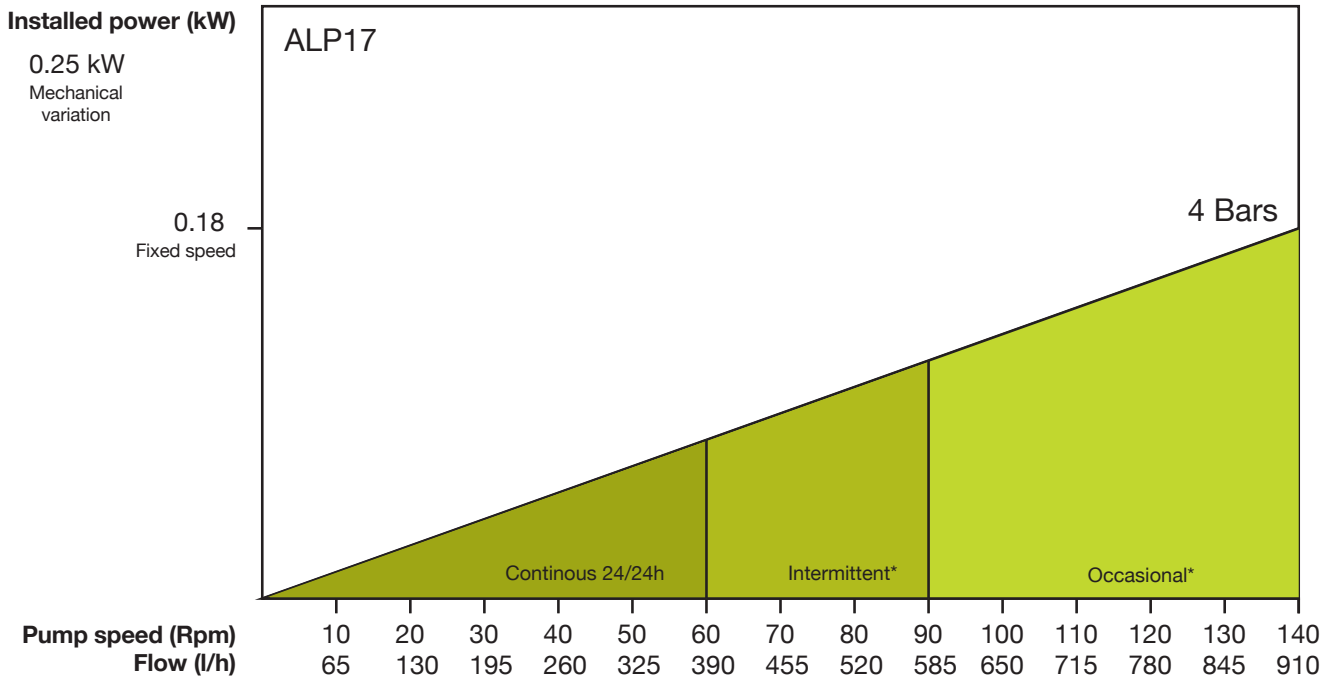


SIZE	A	B	C	D	E	F	G	H	I	J	K	L	M	N	O	P	ØQ
ALP 13F	126	95	132	61	222	127	165	180	156	170	10	28	20	197	19	352	6
ALP 13VM	126	95	132	61	222	127	165	180	156	170	10	28	20	197	19	502	6

ALP 17 - DATA SHEET

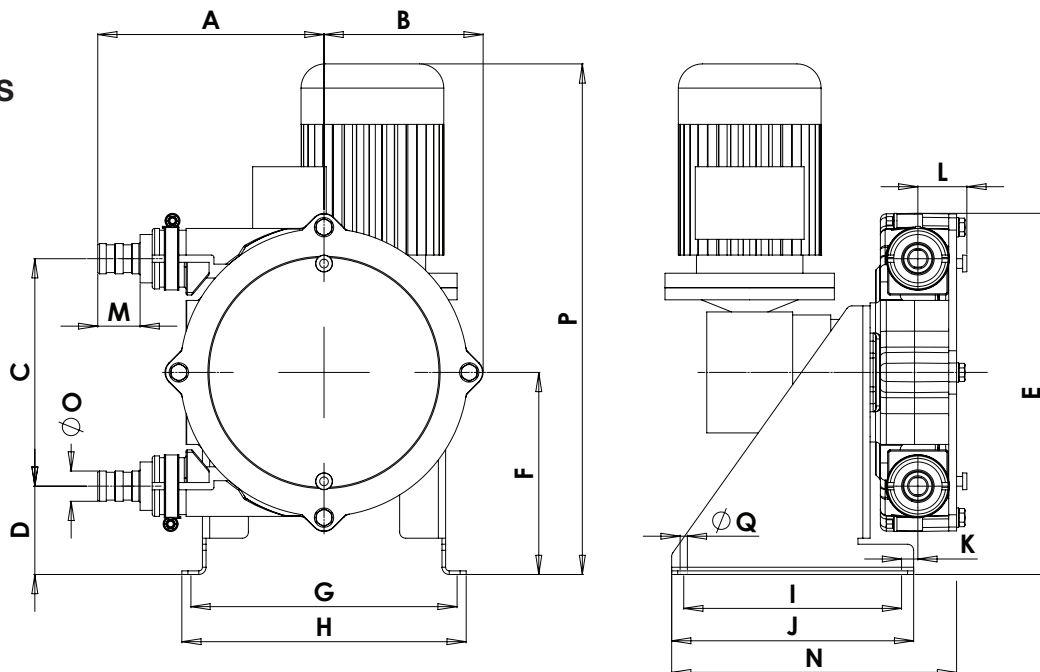
ALP

albin
pump
since 1928

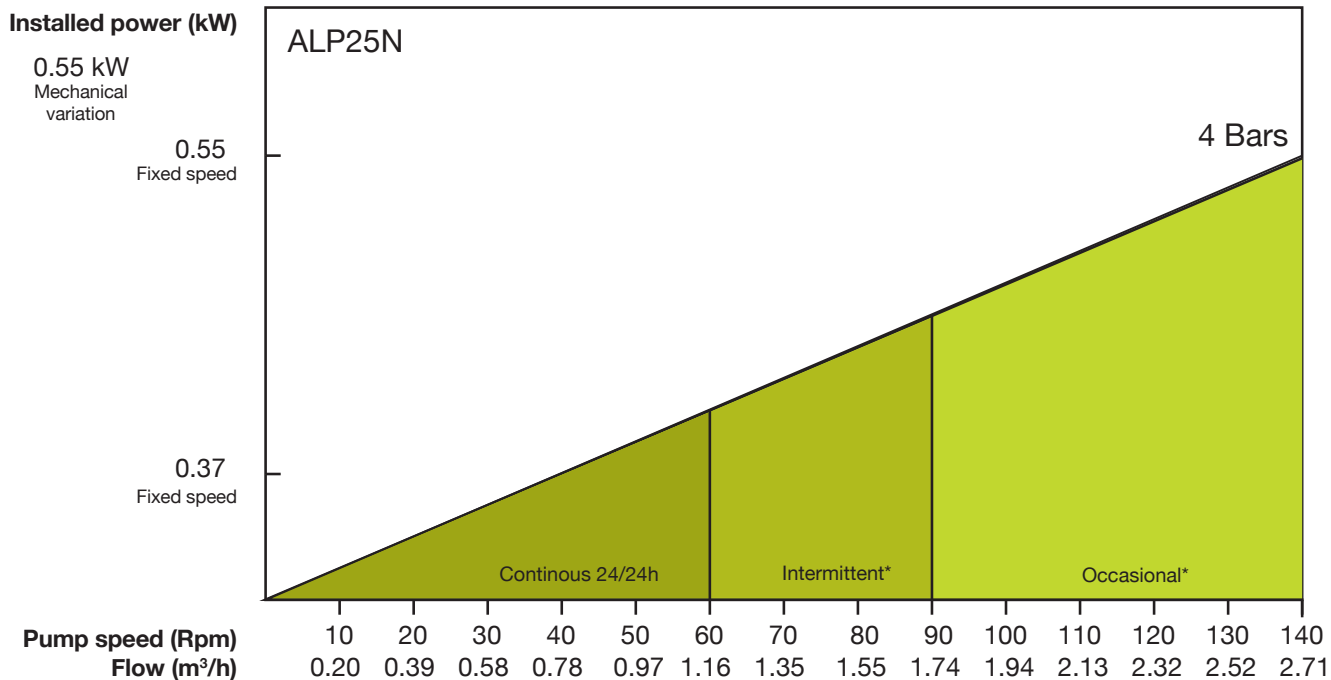


*Intermittent use : minimum one hour stop after 2 hours run / *Occasional use : maximum one hour a day

DIMENSIONS

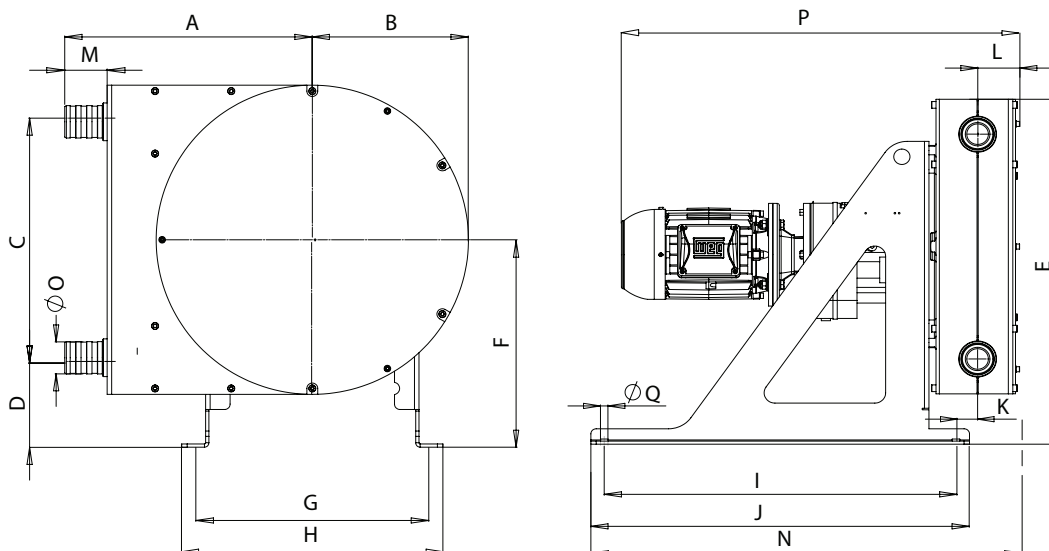


SIZE	A	B	C	D	E	F	G	H	I	J	K	L	M	N	O	P	ØQ
ALP 17F	187	131	188	73	290	167	220	235	180	200	13,5	40,5	35	235,5	25	427	6
ALP 17VM	187	131	188	73	290	167	220	235	180	200	13,5	40,5	35	235,5	25	527	6

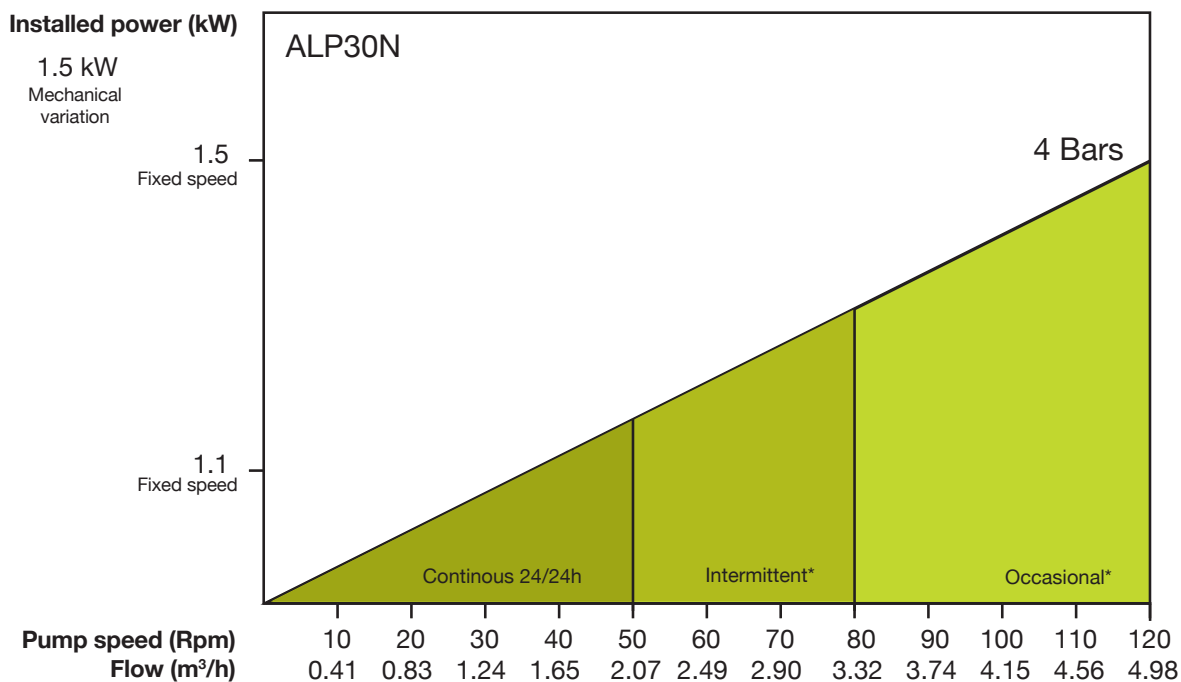


*Intermittent use : minimum one hour stop after 2 hours run / *Occasional use : maximum one hour a day

DIMENSIONS

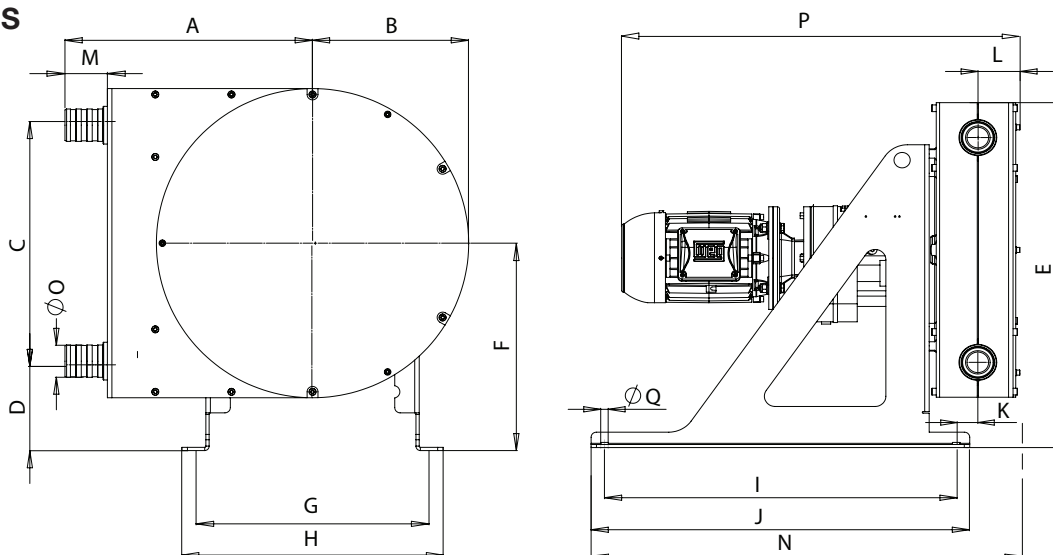


SIZE	A	B	C	D	E	F	G	H	I	J	K	L	M	N	O	P	ØQ
ALP25NF	275	165	256	90	383	218	240	270	400	440	18	49	48	482	38	605	11
ALP25NVM	275	165	256	90	383	218	240	270	400	440	18	49	48	482	38	695	11

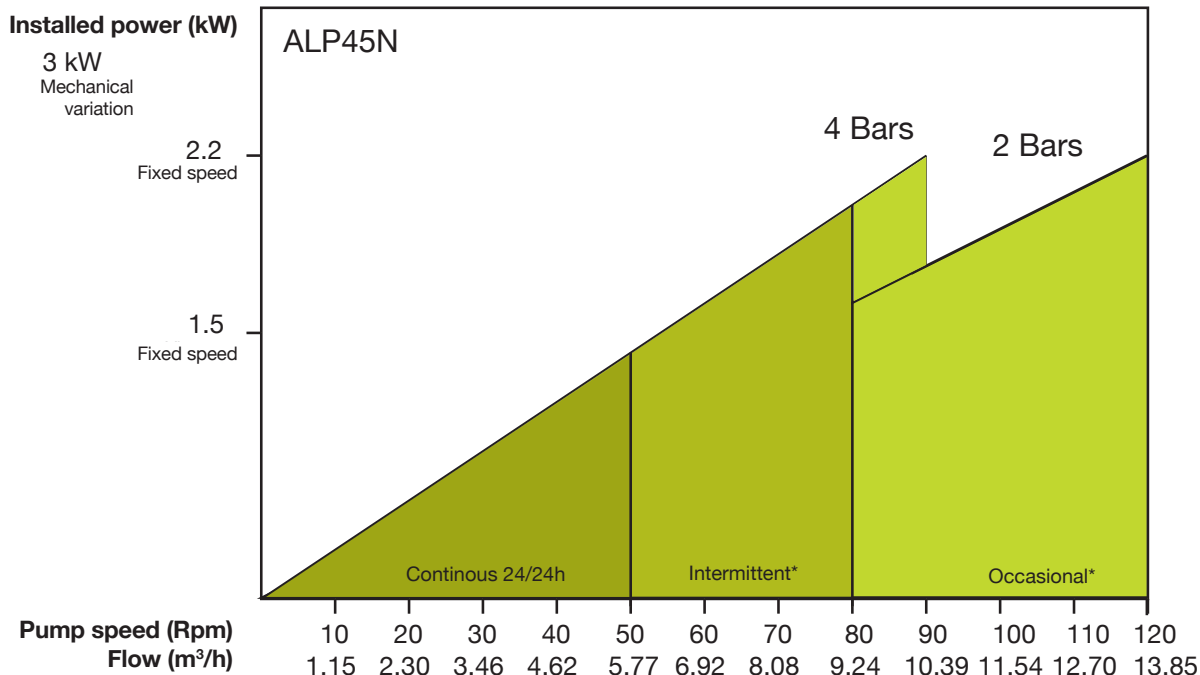


*Intermittent use : minimum one hour stop after 2 hours run / *Occasional use : maximum one hour a day

DIMENSIONS

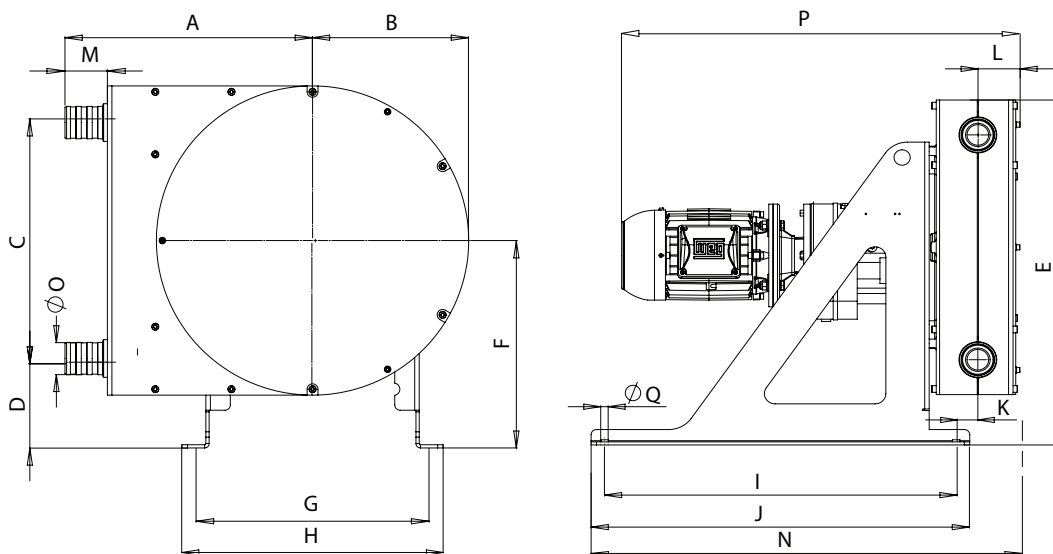


SIZE	A	B	C	D	E	F	G	H	I	J	K	L	M	N	O	P	ØQ
ALP30NF	348	226	354	153	557	319	330	386	550	590	23	58	60	651	45	685	14
ALP30NVM	348	226	354	153	557	319	330	386	550	590	23	58	60	651	45	795	14



*Intermittent use : minimum one hour stop after 2 hours run / *Occasional use : maximum one hour a day

DIMENSIONS



SIZE	A	B	C	D	E	F	G	H	I	J	K	L	M	N	O	P	ØQ
ALP45NF	455	287	438	166	672	385	420	480	650	700	41	78	78	793	60	736	14
ALP45NVM	455	287	438	166	672	385	420	480	650	700	41	78	78	788	60	847	14

GB

ALBIN PUMP SAS

Z.I. du Meyrol
6, Avenue du Meyrol
F-26200 MONTELIMAR
FRANCE
Tel +33 (0) 4 75 90 92 92
Fax +33 (0) 4 75 90 92 40
courrier@albinpump.fr
www.albinpump.com

For more information about our worldwide locations, approvals, certifications, and local representatives, please visit www.albinpump.com.
ALBIN PUMP reserves the right to incorporate our latest design and material changes without notice or obligation.
Design features, materials of construction and dimensional data, as described in this bulletin, are provided for your information only and should not be relied upon unless confirmed in writing.
Certified drawings are available upon request. © 2008 ALBIN PUMP